

A Adam, Rouilly

AR68 - AR68/50

Debra Enhanced®

Impacted Fetal Head Simulator

Instruction Manual



Thank you for purchasing this AR68 Debra Enhanced® – Impacted Fetal Head Simulator.

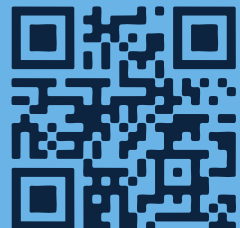
Please read this instruction manual carefully and retain it for future reference.

Contents

· Parts	4
· Supplied With	5
Before Use	
· Removing the Model from the Case	7
· Secure to a Stable Surface	7
· Lubricate the Fetal Head and Uterus	9
· Insert the Fetal Head into the Model	9
Before Use: Adjust The Fetal Head Position	
· Axial Rotation	11
· Flexion Position	11
· Asynclitism	13
· Impaction	13
During Use	
· Vaginal Examination	15
· Use of Forceps	15
· Fetal Head Extraction	15
· Use of Delivery Assistance Devices	15
After Use	
· Cleaning	17
· Storage	19

Let us walk you through it
Watch the video now

Visit our YouTube Channel:
<https://www.youtube.com/AdamRouilly>



Safety and Precautions



The model has been designed for use solely with ultrasound gel. Use of any other lubricant may damage the model and invalidate your guarantee.



Never use the model without first applying lubricant to the fetal head, uterus and birth canal. Do not allow the model to dry out during use, re-apply lubricant as necessary. Non-lubricated use will damage the model.



Note that the model weighs 15 kg, seek assistance when handling the model if necessary.



Forceps may be inserted vaginally into the model to simulate a failed forceps delivery. Vaginal delivery of the head is not possible. Attempting to do so may damage the model and invalidate your guarantee.



Always insert the head into the model and adjust the fetal head position with the impaction difficulty adjuster set to Easy (Green). Do not attempt this on any other setting.



Do not leave or store the model with the fetal head still inside. After use, leave the head extracted and outside of the caesarean opening.



The model must be cleaned regularly to ensure optimal performance.

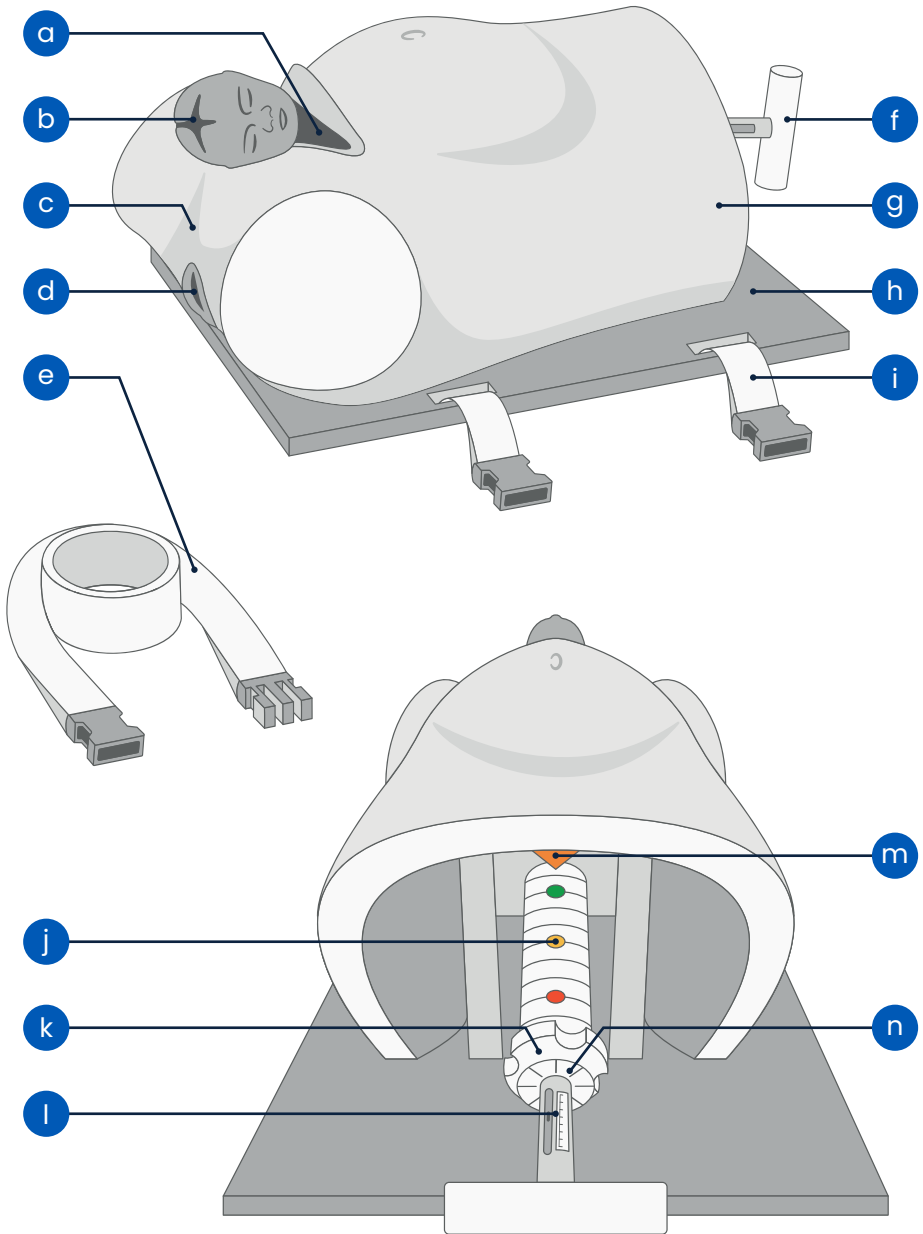


This simulator has been designed to facilitate training in disimpaction of an impacted fetal head in the pelvis. The procedures demonstrated in this manual serve as a guide only. Local policies will determine the correct way of performing this procedure.



Please treat the simulator with the same care you would a patient.

Parts



- a Caesarean incision
- b Fetal head with palpable anterior and posterior fontanelles
- c Internal birthing canal, uterus and pelvis
- d Vaginal opening
- e Extension straps (x2)
- f Fetal head positioning handle
- g Main body
- h Base
- i Adjustable securement straps (x2)
- j Impaction difficulty indicators (Red, Yellow, Green)
- k Impaction difficulty adjustor knob
- l Flexion indicator
- m Axial rotation marker (Orange)
- n Axial rotation angle indicator disc

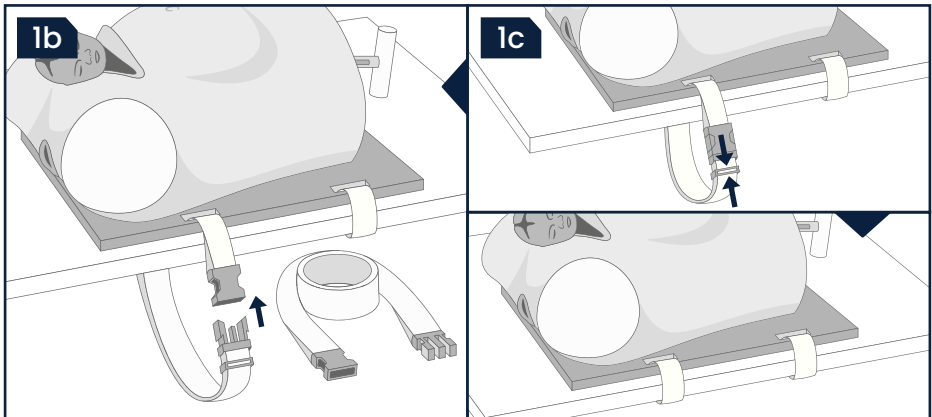
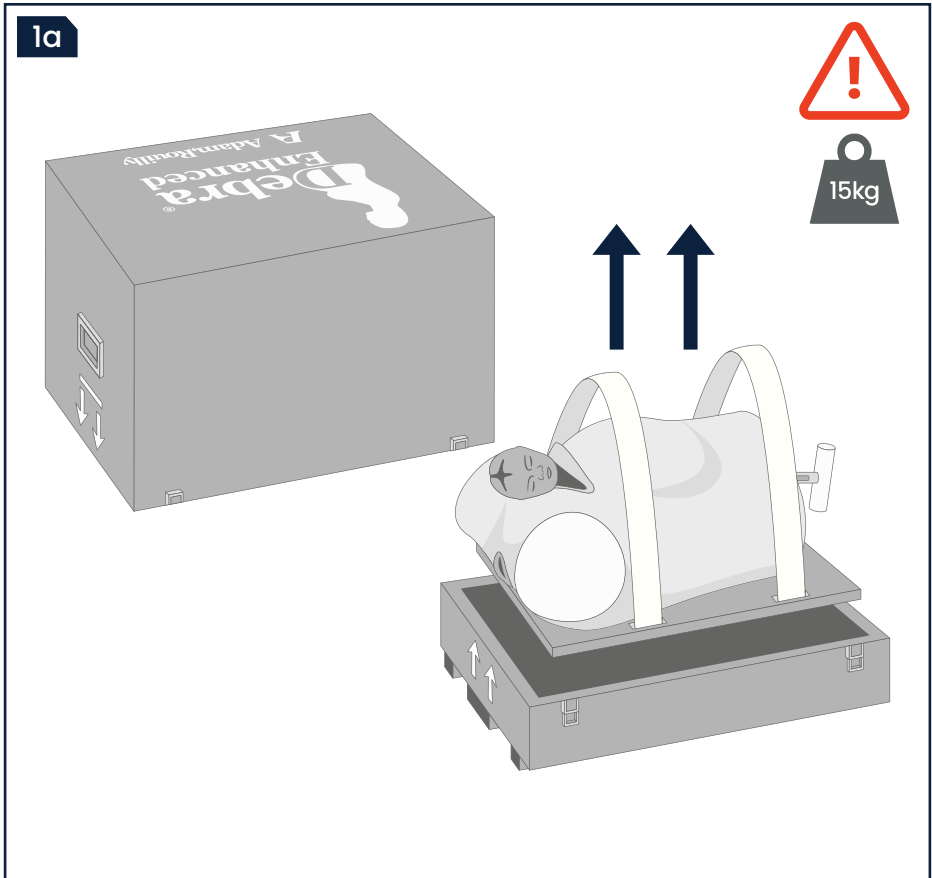
Supplied With

s58/8 Lubricating Ultrasound Gel (250 mL)



If you require replacement parts please contact our Sales Department, use product codes where applicable.

Before Use



Removing the Model from the Case

1a

Fasten the securement straps over the top of the model and use these to lift the model out of the case, as directed by your Manual Handling Policy.



Note that the model weighs 15 kg, seek assistance when handling the model if necessary.

Secure to a Stable Surface

1b

Ensure the work area is clean and dry.

Keep paper towels nearby in case of any spillage of lubricant.

Position Debra Enhanced® on a stable, flat surface and fasten the straps to hold the model securely in place during use.

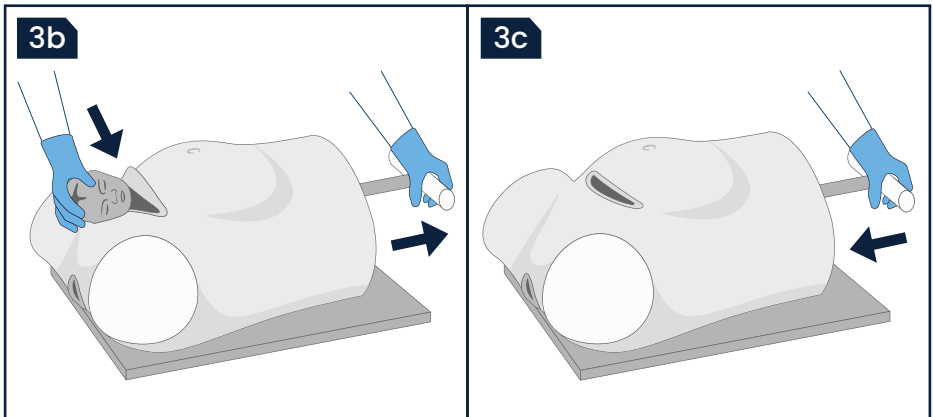
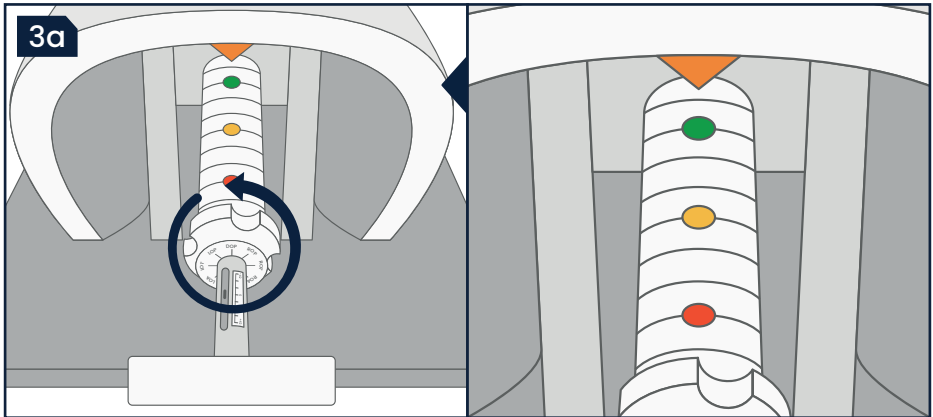
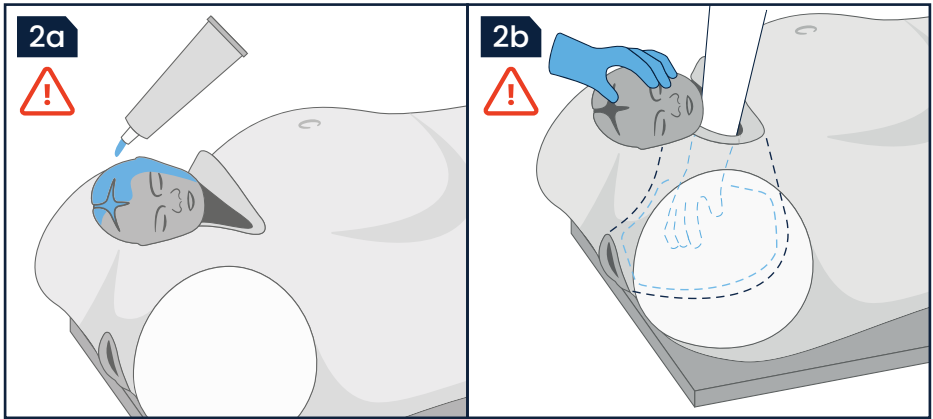
The extensions straps (supplied) can be added to the straps on the model so they fit around hospital beds or larger surfaces.

1c

The straps may be adjusted to lengthen or shorten for table top use.

For best use, shorten the straps after fastening to ensure good securement to the surface.

Before Use



Lubricate the Fetal Head and Uterus

2a With the fetal head out of the uterus, apply a liberal amount of ultrasound gel to the entire fetal head.

2b Insert a hand through the caesarean incision and distribute a liberal amount of ultrasound gel throughout the uterus and fully down the birth canal.



The model has been designed for use solely with ultrasound gel. Use of any other lubricant may damage the model and invalidate your guarantee.



Never use the model without first applying lubricant to the fetal head, uterus and birth canal. Do not allow the model to dry out during use, re-apply lubricant as necessary. Non-lubricated use will damage the model.

Insert the Fetal Head into the Model

3a Decrease the impaction difficulty adjuster to minimum by turning it anti-clockwise until the Easy (Green) minimum marker shows.



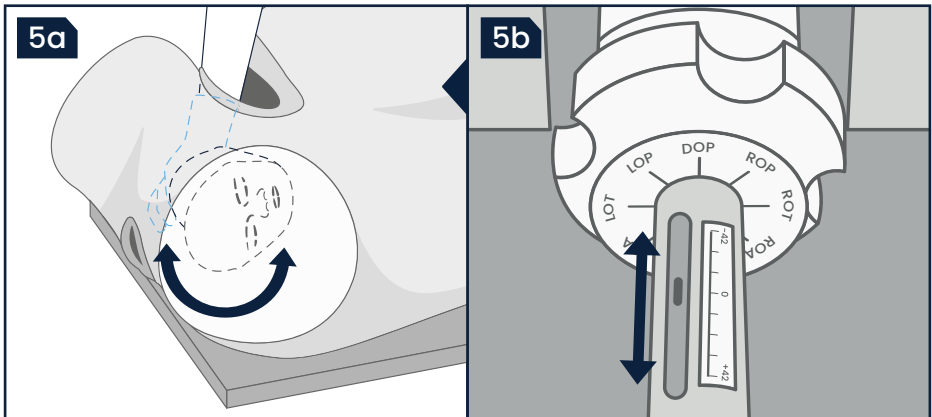
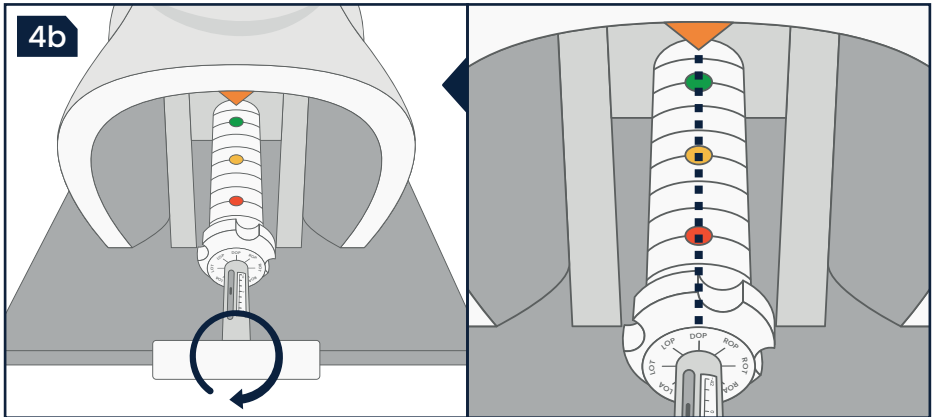
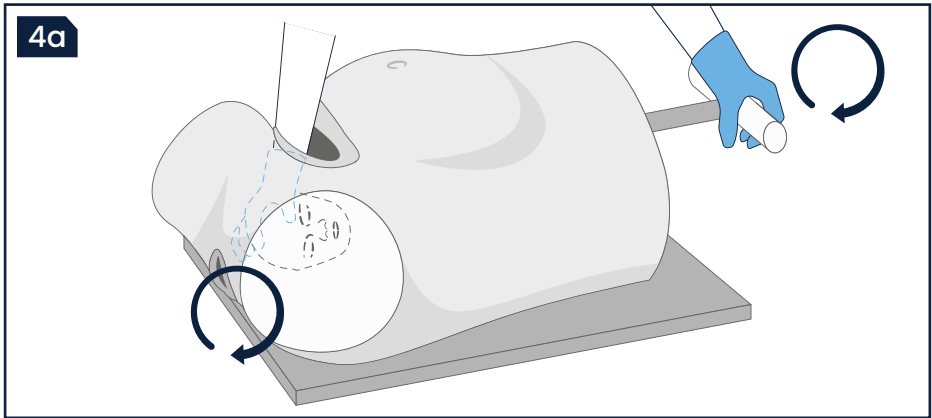
Always insert the head into the model with the impaction difficulty adjuster set to Easy (Green). Do not attempt this on any other setting.

3b Using the fetal head positioning handle, carefully draw the fetal head back and down into the model so that it slips into the lubricated uterus, guiding with your hand if necessary.

3c Push the fetal head positioning handle forward to guide the fetal head into the lesser pelvis.

Fetal head position and impaction may now be adjusted, see **4a** page 11.

Before Use



Axial Rotation

4a Axial rotation of the fetal head may be adjusted using one hand to guide the fetal head inside the uterus while turning the fetal head positioning handle to the desired position.

4b Align the desired position on the rotation angle indicator with the orange axial rotation marker at the rear of the abdomen.

Axial Rotation Angle Indicator	Fetal Head Position
DOP	Direct Occiput Posterior
ROP	Right Occiput Posterior
ROT	Right Occiput Transverse
ROA	Right Occiput Anterior
DOA	Direct Occiput Anterior
LOA	Left Occiput Anterior
LOT	Left Occiput Transverse
LOP	Left Occiput Posterior



Fetal head indications are true to the positions in real life, i.e. when viewed from the front of the model.



Always adjust the fetal head position with the impaction difficulty adjuster set to Easy (Green). Do not attempt this on any other setting.

Flexion Position

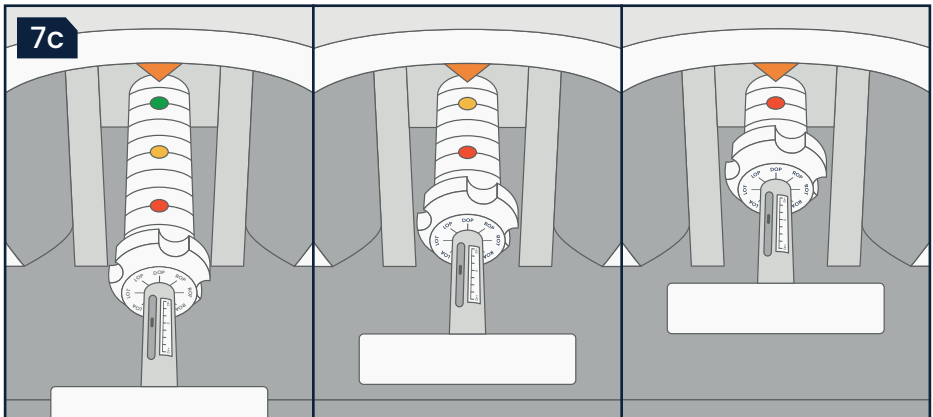
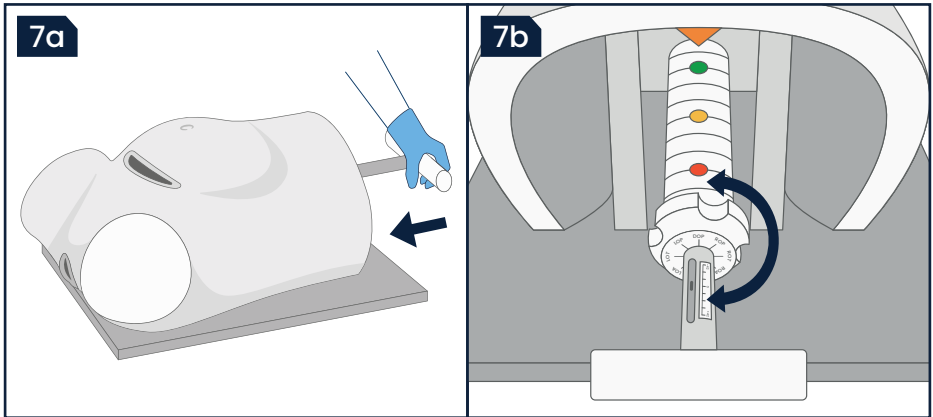
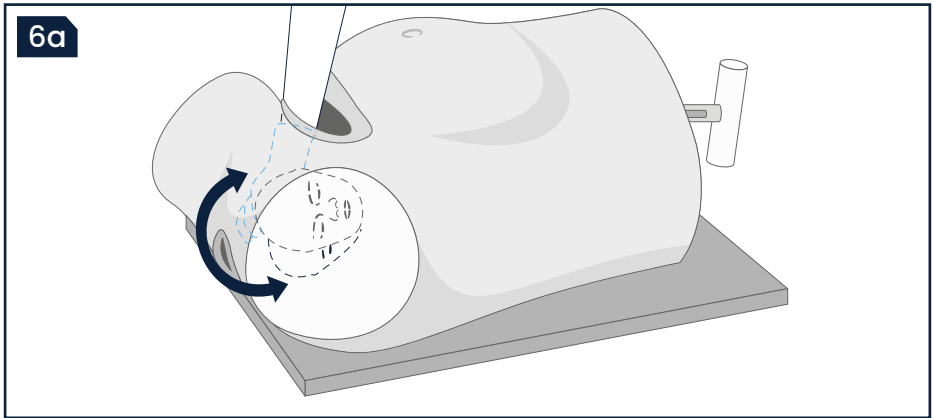
5a The flexion angle of the fetal head may be adjusted. Whilst holding the fetal head positioning handle with one hand, steady the fetal head inside the uterus and manually flex or deflex the head. As the head is flexed the vertical pin in the flexion indicator will move.

5b Whilst flexing the head, align the vertical pin in the flexion indicator with the desired angle of flexion as indicated (- 42° Deflexed, 0 Neutral, +42° Flexed).



Always adjust the fetal head position with the impaction difficulty adjuster set to Easy (Green). Do not attempt this on any other setting.

Before Use



Asynclitism

6a

Asynclitism of the fetal head may be also adjusted. Whilst holding the fetal head positioning handle with one hand, adjust the head on its axis from side to side.



Always adjust the fetal head position with the impaction difficulty adjuster set to Easy (Green). Do not attempt this on any other setting.

Impaction

7a

With rotation, flexion and asynclitism now set, the amount of impaction of the fetal head in the pelvis may now be adjusted for the degree of difficulty required for extracting the fetal head.

Push the fetal head positioning handle forward to guide the fetal head into the birthing canal if required.

7b

Turn the impaction difficulty adjuster knob clockwise to increase impaction or anti-clockwise to decrease impaction.

7c

Illustrated are the three degrees of impaction:



Easy (Green)

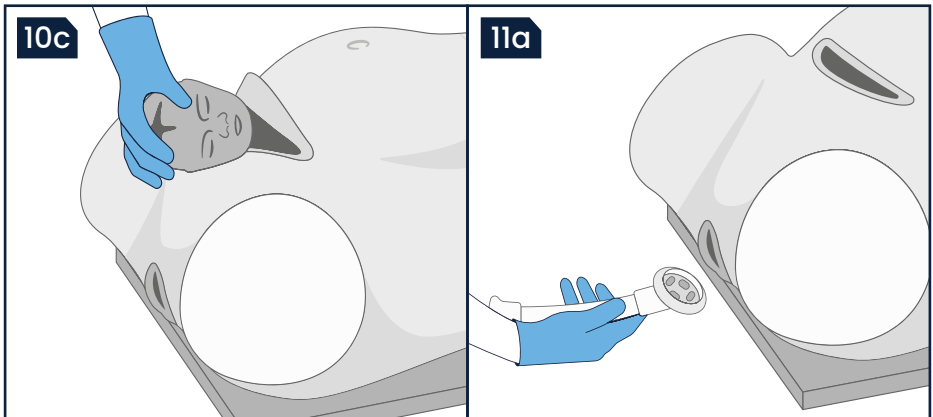
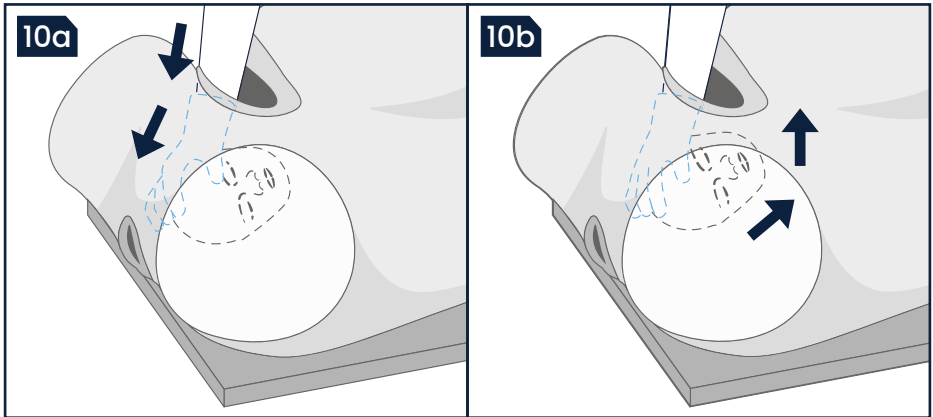
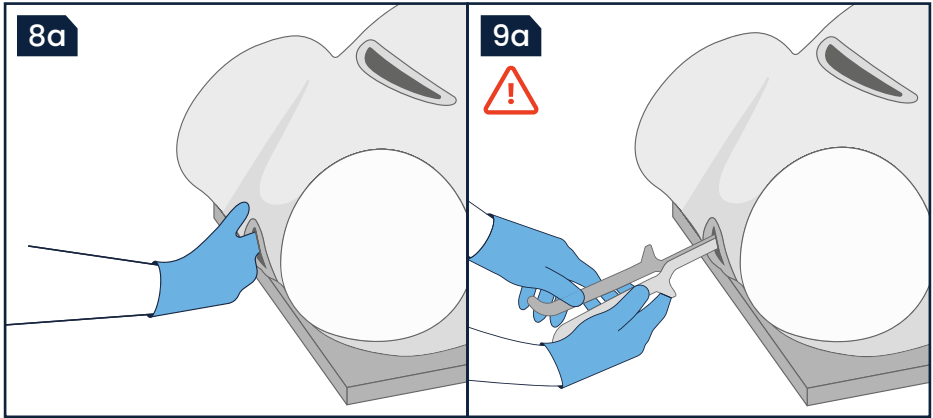


Medium (Yellow)



Hard (Red)

During Use



Vaginal Examination

8a

Vaginal examination may be performed on the model to determine the position of the fetal head.



Additional glove lubrication may be required using a small amount of ultrasound gel only.

Use of Forceps

9a

Insert the forceps carefully according to local policy and guide these around the fetal head. Once inserted, the forceps can then be used to attempt a failed forceps delivery.



Vaginal delivery of the head is not possible - attempting to do so could damage the model.

Fetal Head Extraction



This simulator has been designed to facilitate training in disimpaction of an impacted fetal head in the pelvis. The procedures demonstrated in this manual serve as a guide only. Local policies will determine the correct way of performing this procedure.

10a

To extract the fetal head gently insert a hand into the caesarean incision and slide fingers between the fetal head and uterus.

10b

Firmly grasp the fetal head while pulling backwards and upwards to release the fetal head from the pelvic area.

The level at which the impaction difficulty adjustor knob is set will determine the correct amount of force required to disimpact the head.

10c

Guide the head out of the pelvic area and out through the caesarean incision.

The head has now been delivered successfully. If training is to continue, reset the fetal head as described in **2a** page 9.

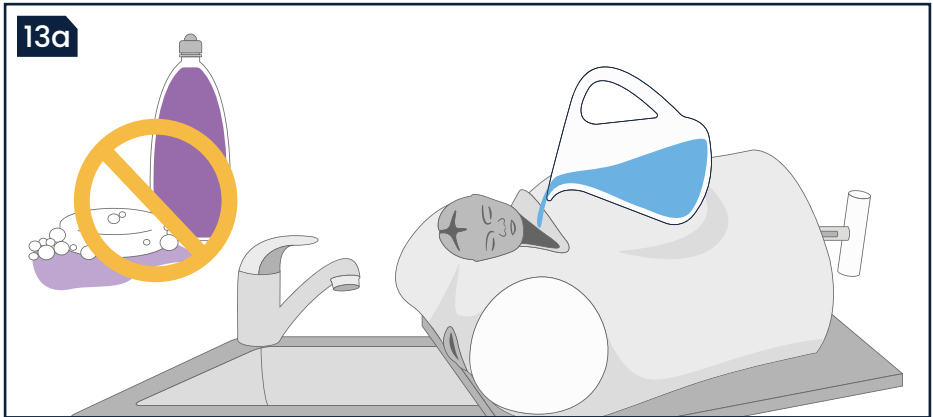
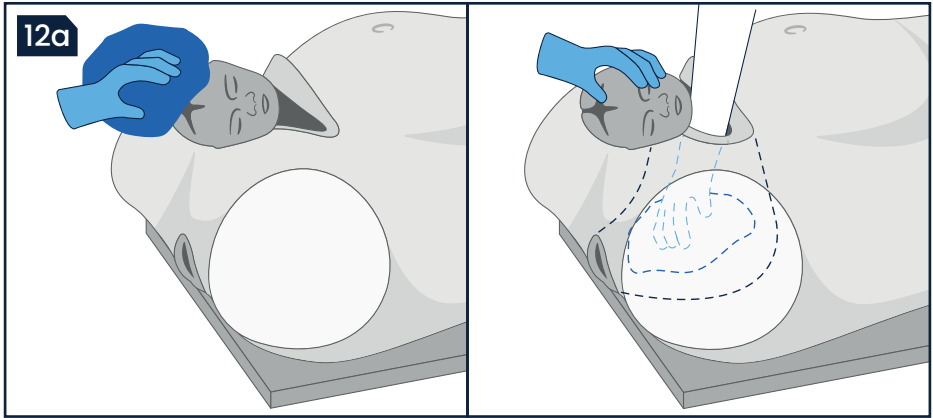
If training has finished, see **12a** page 17.

Use of Delivery Assistance Devices

11a

Fetal head elevation devices such as the Tydeman® Tube or balloon type may be used with the model. Please contact the specific device manufacturer for guidance on using these devices.

After Use



Cleaning

12a

Once training is finished, wipe off any excess lubricant from the fetal head, uterus and birth canal.

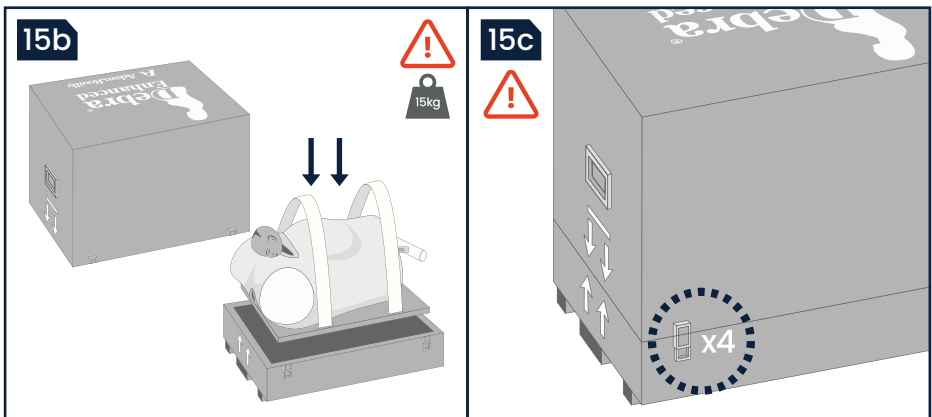
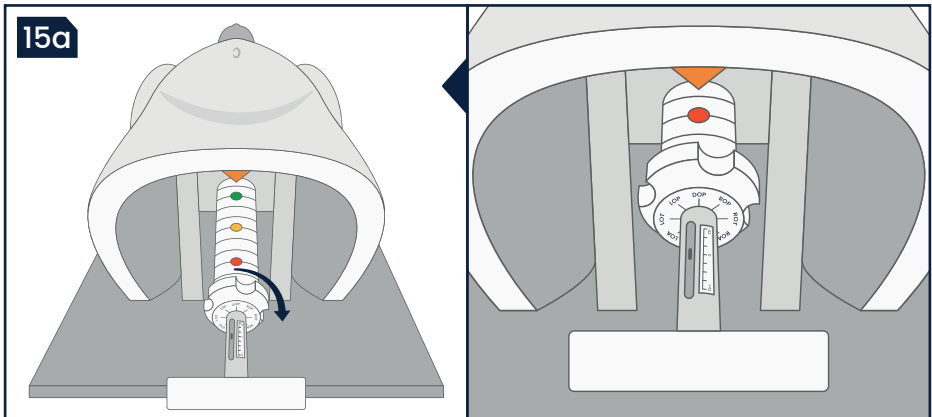
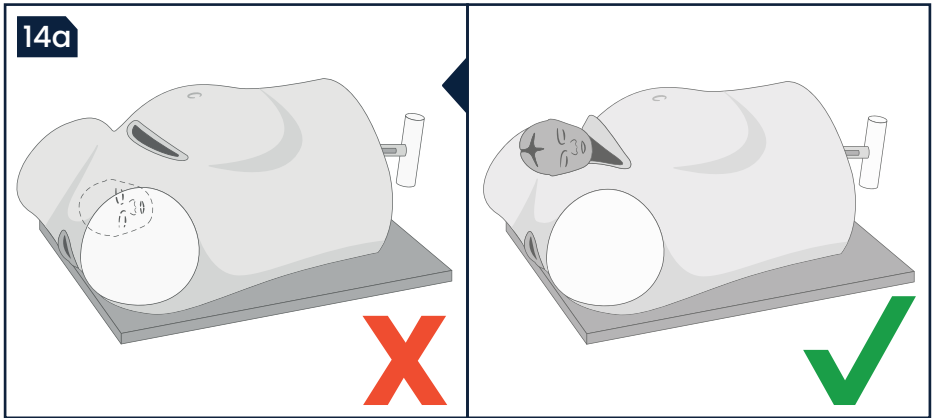
13a

The model may be flushed with warm water to remove remaining ultrasound gel if required.



Do not use soap, detergents or any other chemical cleaners to clean the model.

After Use



Ensure the Fetal Head is Extracted

14a

After use, the fetal head must remain extracted and outside of the caesarean opening.



Always adjust the fetal head position with the impaction difficulty adjuster set to Easy (Green). Do not attempt this on any other setting.

Storage in the Included Carrying Case

15a

For the most secure fit in the included carrying case, adjust the impaction difficulty adjuster to Red.

15b

Fasten the securement straps over the top of the model and use these to lift the model onto the base, as directed by your Manual Handling Policy.

Be sure to replace the model back into the case so that the fetal head is facing the white arrows on the base, as shown.



Note that the model weighs 15 kg, seek assistance when handling the model if necessary.

15c

Replace the lid of the case, aligning white arrows on the base with white arrows on the lid. Fasten all four latches.



Ensure all four latches are fastened before moving or carrying the case.

2 Year Guarantee



This product, manufactured by Adam,Rouilly, is covered by our full 2 Year Guarantee. This guarantee applies to models which have been used correctly and covers durability and functionality.

SERVING MEDICAL EDUCATION WORLDWIDE

Adam,Rouilly Limited, Castle Road, Eurolink Business Park,
Sittingbourne, Kent, ME10 3AG, United Kingdom

UK

+44 (0)1795 471 378

uksales@adam-rouilly.co.uk

Export

+44 (0)1795 411 064

sales@adam-rouilly.co.uk

Adam,Rouilly has over 100 years of experience in providing quality medical models and simulators.

As part of our policy of continuous product development, the specifications of our products may change without prior notice.

Should you require further information, please contact our Sales Department, who will be pleased to assist you with your enquiry.

www.adam-rouilly.co.uk



©Copyright 2025 **S0068** MI